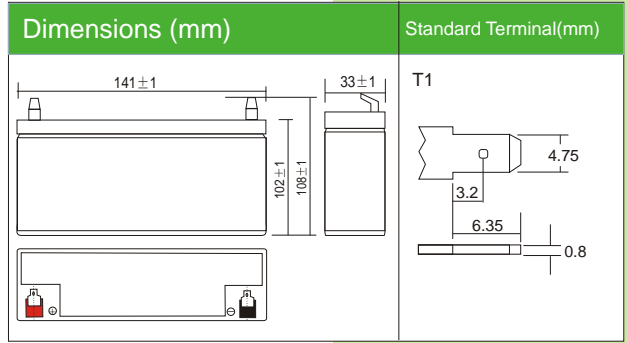
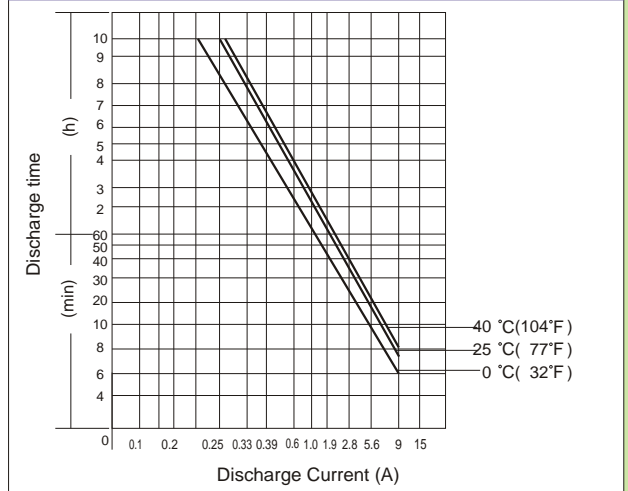




DJW12-3.0(12V3.0AH)



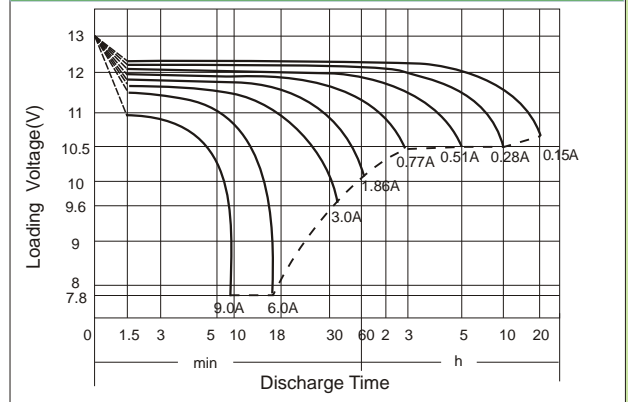
Discharging Current & Discharge Duration Time



Physical Specification		
Nominal Voltage		12V
Nominal Capacity (20HR)		3.0AH
Dimension	Length	141 ± 1mm (5.55 inches)
	Width	33 ± 1mm (1.30 inches)
	Container Height	102 ± 1mm (4.02 inches)
	Total Height (with Terminal)	108 ± 1mm (4.25 inches)
Weight		Approx 1.2kg (2.65lbs)
Standard Terminal		T1(standard)

Electrical Specification					
Rated Capacity	20 hour rate (150mA)	3.0AH	Constant-Voltage Charge	Cycle	Initial Charging Current less than 0.9A. Voltage 14.4V~15.0V at 25°C (77°F) Temp. Coefficient -30mV/°C
	10 hour rate (283mA)	2.8AH			
	5 hour rate (509mA)	2.55AH			
	1 hour rate (1.86A)	1.86AH			
Capacity affected by Temperature	15minute rate (5.88A)	1.47AH	Standby	No limit on Initial Charging Current Voltage 13.5V~13.8V at 25°C (77°F) Temp. Coefficient -20mV/°C	
	40°C (104°F)	103%			
	25°C (77°F)	100%			
	0°C (32°F)	86%			

Discharge Characteristics (25°C, 77°F)



Constant Current (Amp) and Constant Power (Watt) Discharge Table (25°C, 77°F)

Time(minute) Final voltage/Cell	Constant Current (Amp) and Constant Power (Watt) Discharge Table (25°C, 77°F)												
	5	10	15	20	30	45	60	120	180	300	600	1200	
Amp/Watt/Cell	1.3	1.3	1.3	1.3	1.6	1.6	1.67	1.7	1.75	1.75	1.75	1.8	
A	12.00	8.55	5.88	4.80	3.45	2.40	1.86	1.05	0.77	0.51	0.28	0.15	
W	21.48	16.08	11.19	9.39	6.78	4.77	3.69	2.09	1.52	1.02	0.56	0.30	